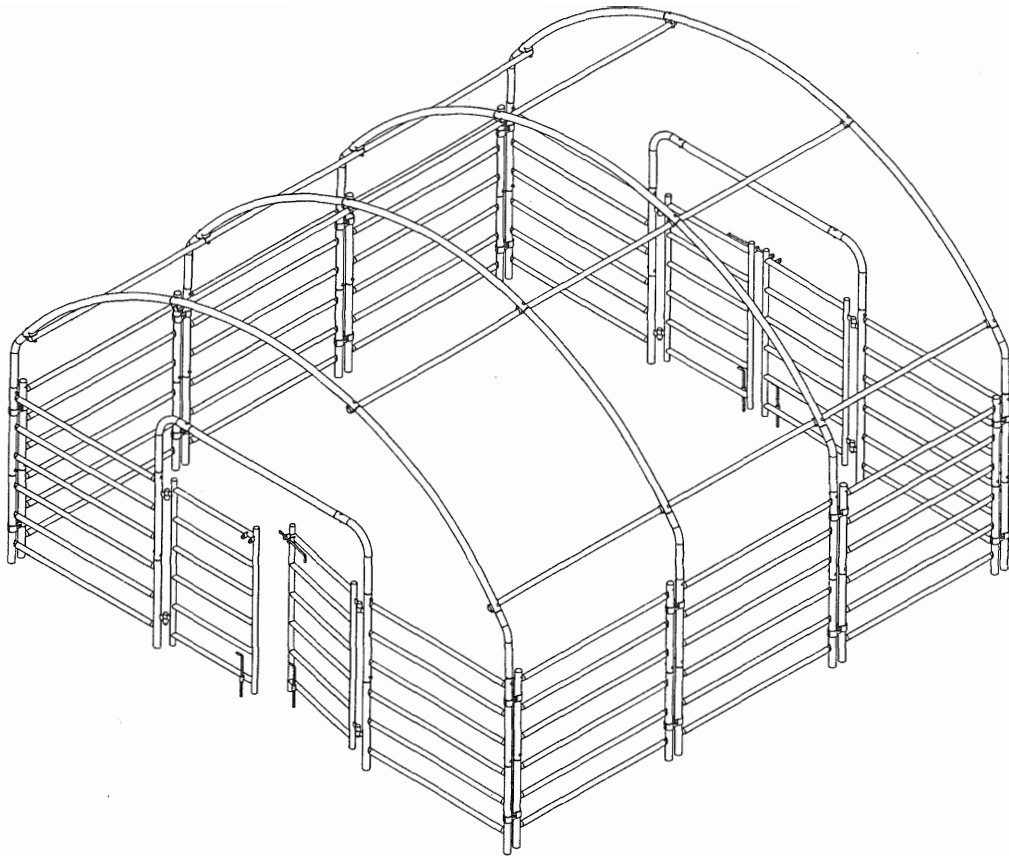


# ASSEMBLY MANUAL

13'X13'X8'(4m X 4m X 2.4m)

Model No.: 99016



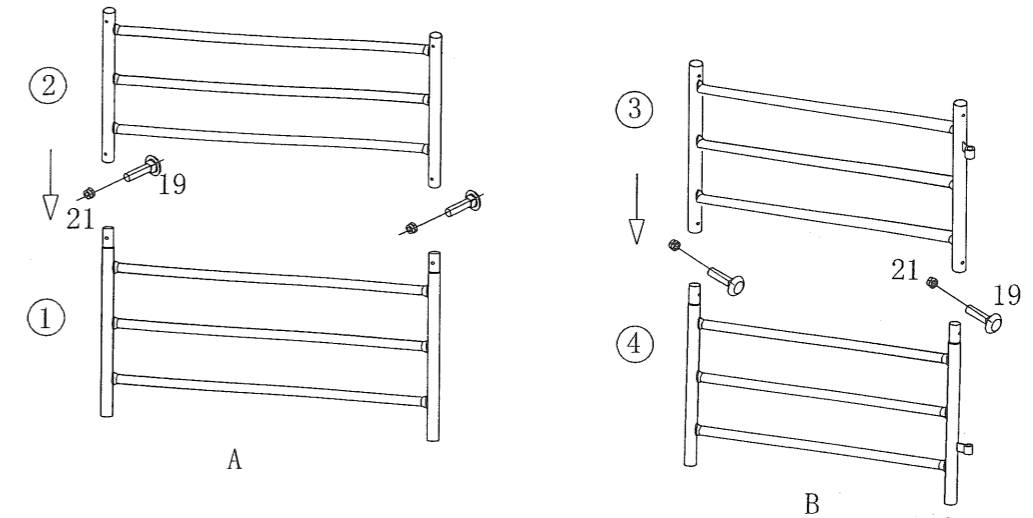
Tools required for assembly (not included)



Item	Description	Drawingon	Qty.	Item	Description	Drawingon	Qty.
1	Side Panel-lower Part		6	14	Door Bolt		2
2	Side Panel-upper Part		6	15	Tube Connector		16
3	Door panel-upper Part		4	16	Clamp		32
4	Door panel-lower Part		4	17	Stake		4
5	Door - Left		2	18	Bolt M10x45		16
6	Door - Right		2	19	Bolt M8x55		32
				20	Bolt M8x95		16
7	Bend Tube with Male End		8	21	Lock Nut M8		48
8	Bend Tube		4	22	Lock Nut M10		16
9	Comer Bend Tube		8	23	Ratchet Tie Down		4
10	Top Tube for Door		2	24	Rope		2
				25	Pin		4
11	Bend Tube for Door		4	26	Back Panel		1
12	Cross Rail Tube with Male End		8	27	Roof Tarp		1
13	Cross Rail Tube		4				

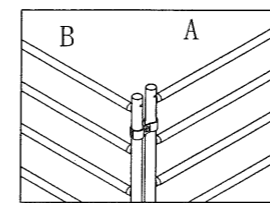
Connect part #1 & #2 together with fittings #19 & #21 to get 6 part A.

Connect part #3 & #4 together with fittings #19 & #21 to get 4 part B.

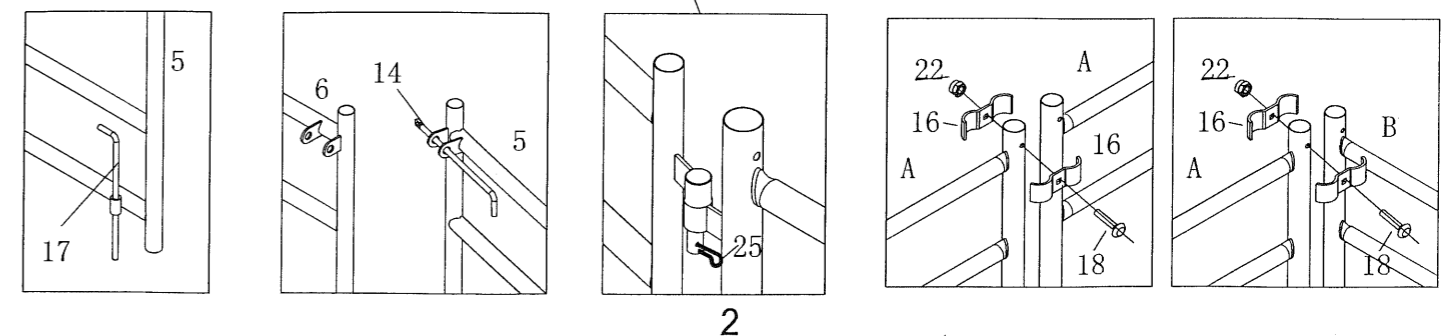
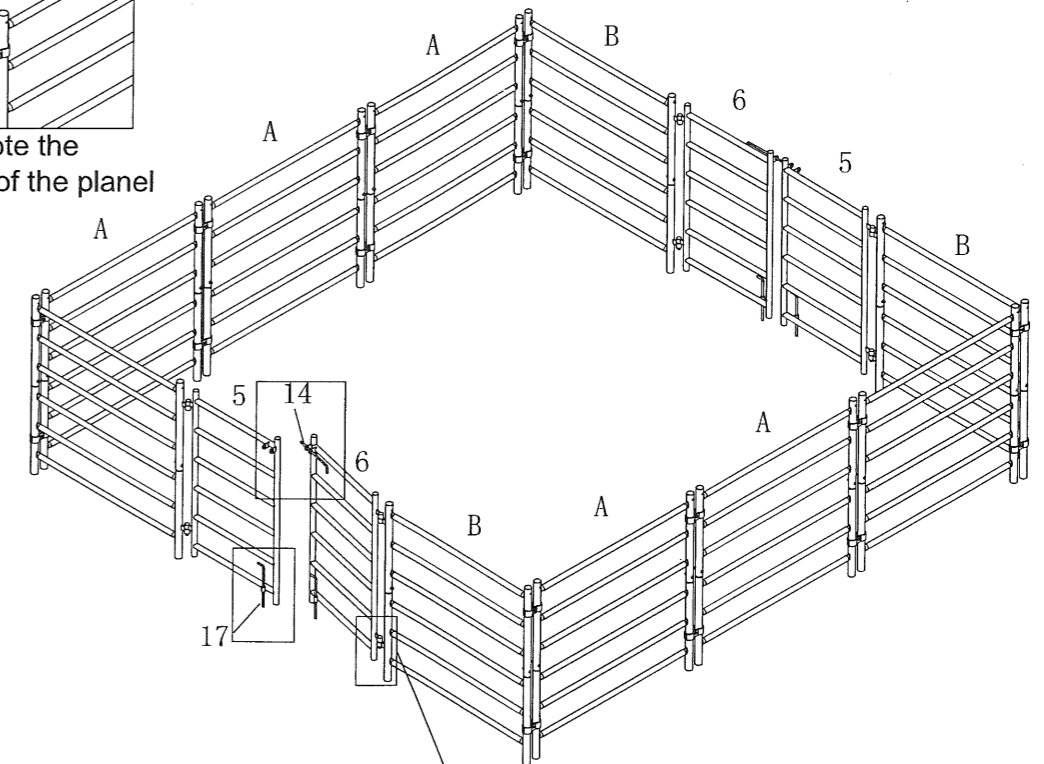


Connect parts A & parts B and doors #5 & #6 with fittings #16,#18 & #22 as shown below.

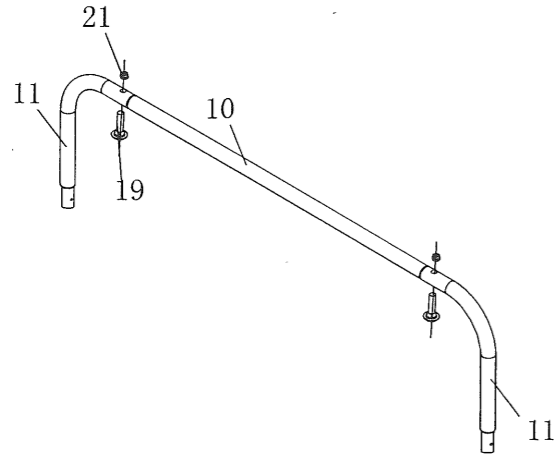
**Note:**When connect A & B together,please place then on the same straight line.



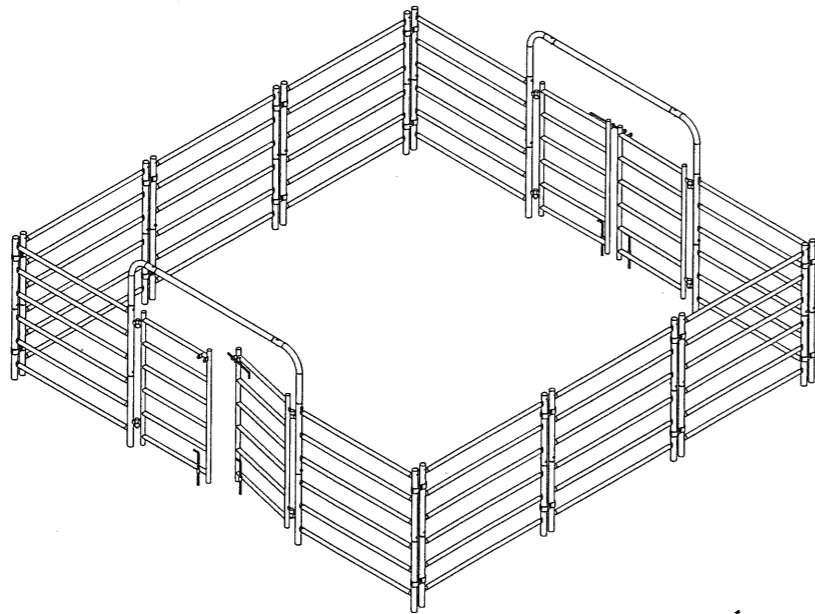
Please note the direction of the panel



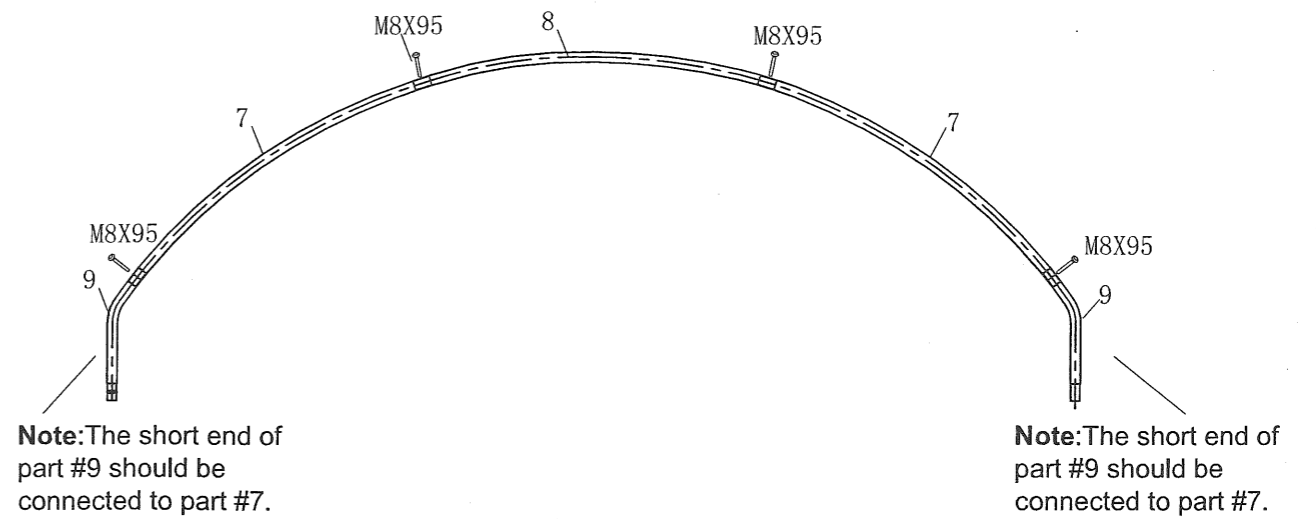
Connect part #10 & #11 together with fittings #19 & #21 as shown below to get the door support.  
There are two door support intotal



Assemble the door support above the door and secure with fittings #19 & #21.

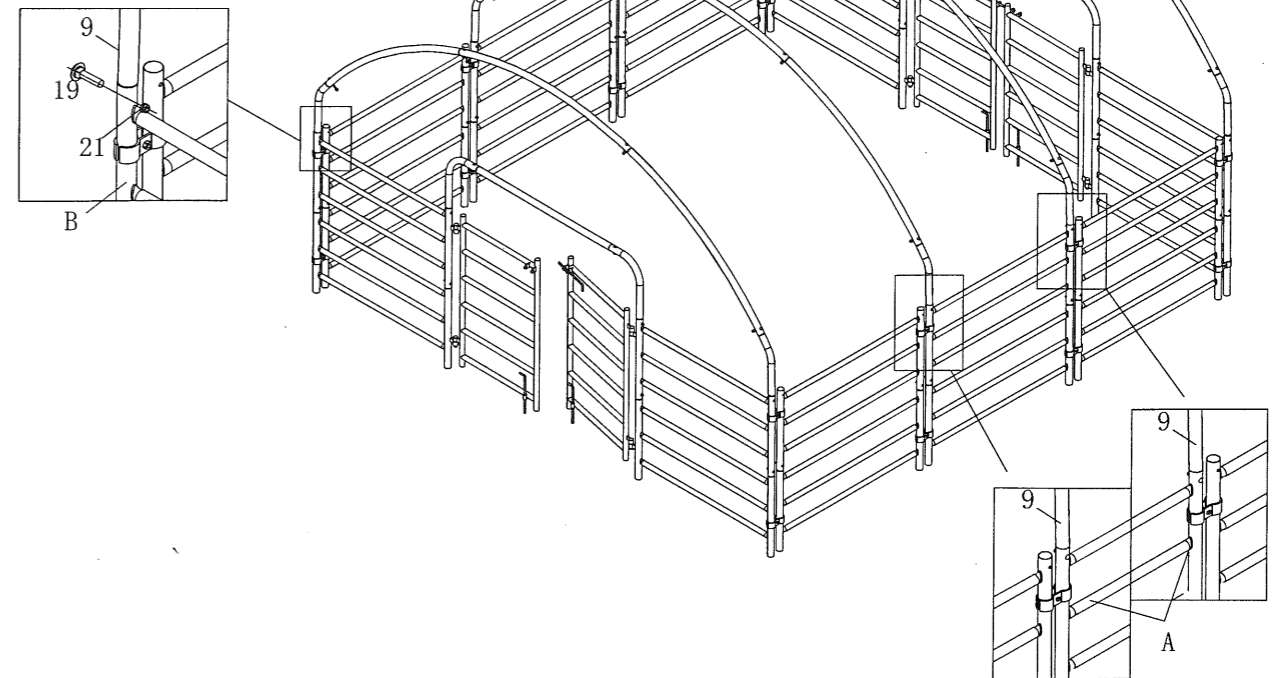


Connect parts #7 #8 & #9 together and secure with fittings #20. Do not screw the lock nuts.



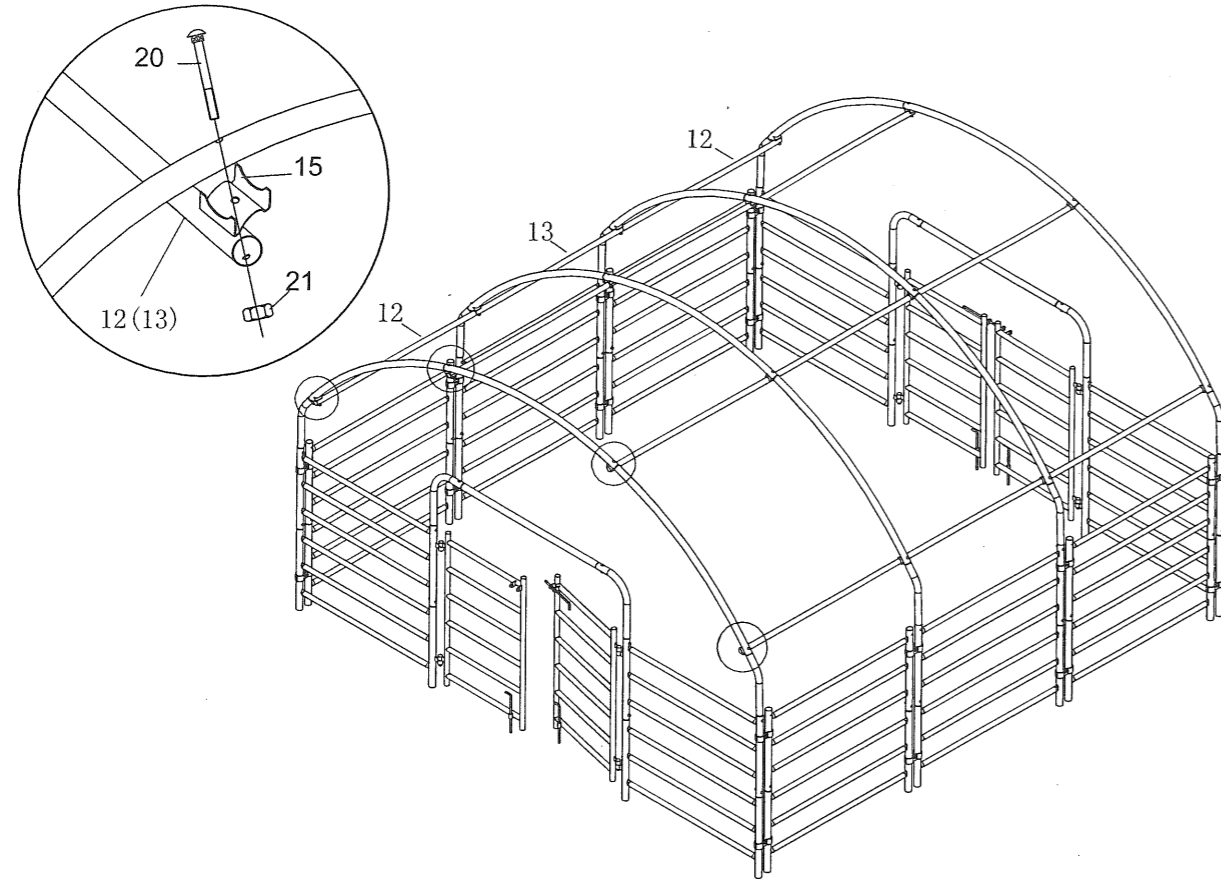
Insert the assembled cover support into the right post poles as shown below and then secure with fittings #19 & #21.

**Note:**The end supports should be inserted to the post pole of part B.

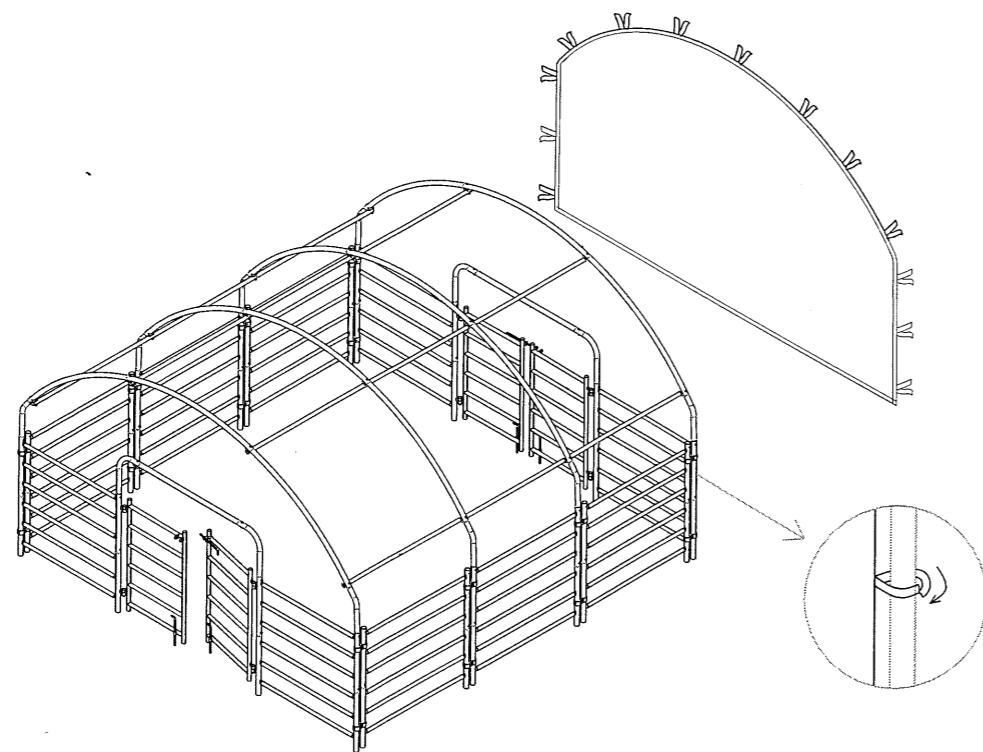


**Note:**The middle supports should be inserted to the middle of the post pole of part A.

Connect two parts #12 and one part #13 together as shown below to get the 3 cross rails. And then assemble the cross rails to the bent support with tube connectors #15 and fittings #20 & #21.

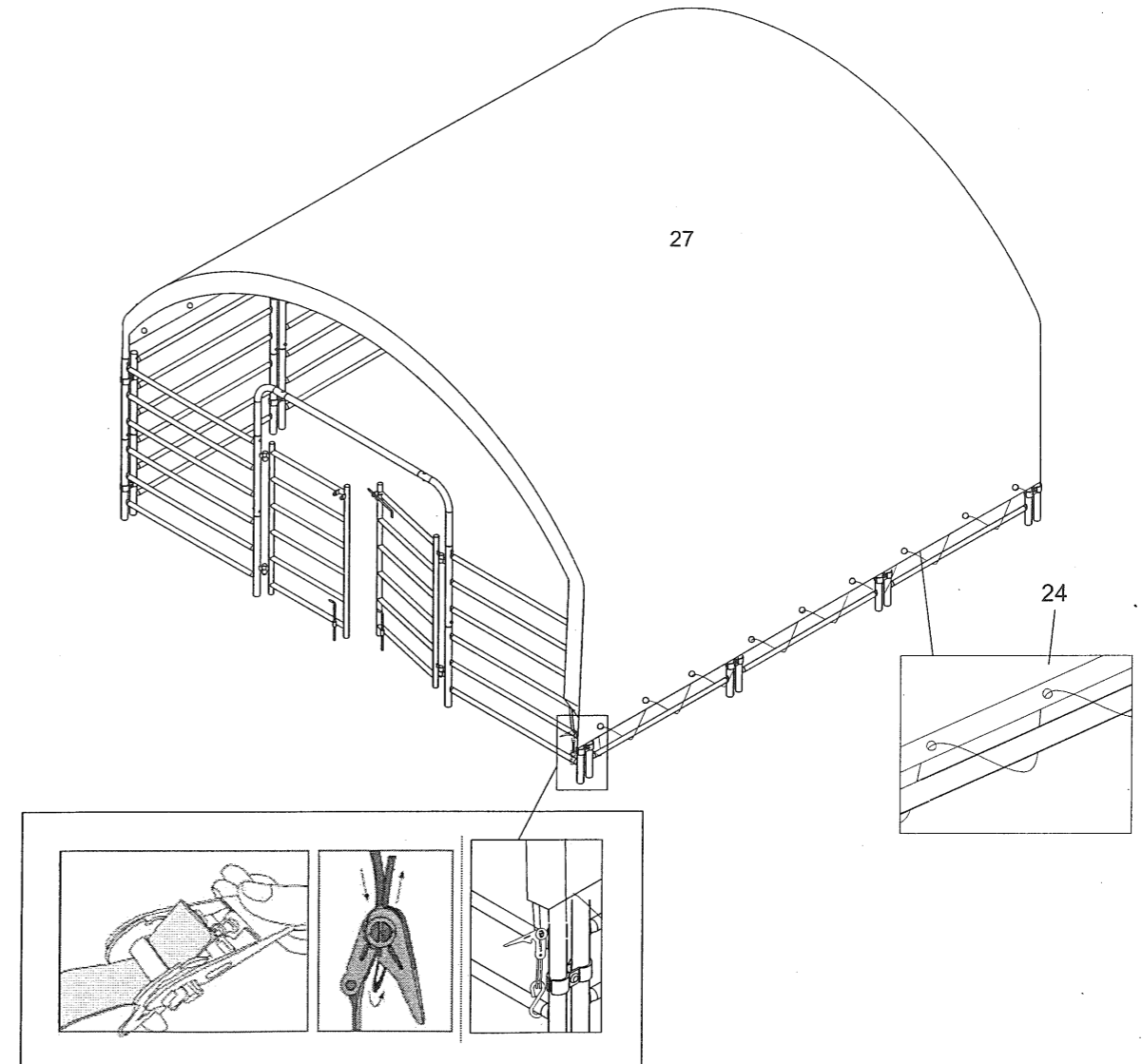


Lay out the roof frame parts as shown below. Begin with the rare panel, put the rare panel to its position as shown below. Attach the panel to the frame tube with the velcros sewed on the panel.



5

Unfold the cover and pull it cover the frame. Note that the side with out holes should face the side with door panels. Secure the four corners to the frame with ratchet tie downs and tighten the side of the cover to the frame by ropes as shown below.



6

## ADDITIONAL ANCHORING

#99008/#99015



#99047



#99009



#99016



**Additional Anchoring Included:** We understand that some areas are more prone to high winds than others, which is why we include additional anchorage for your Shelter.

4 heavy duty ground stakes and 4 complete ratchet systems are included to help keep your shelter firmly in place, but we advise dismantling your shelter if severe weather is anticipated.

