

Boat Tent

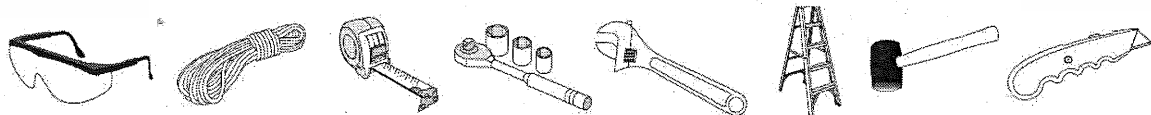
SS143314 14'x33'x14'

W4.3xL10.0xH4.3m

Assembly Instructions



RECOMMENDED TOOLS



Please read instructions **COMPLETELY** before assembly. This shelter **MUST** be securely anchored. THIS IS A TEMPORARY STRUCTURE AND NOT RECOMMENDED AS A PERMANENT STRUCTURE.

Before you start: 4+ individual recommended for assembly, approximate time 3 hr.

ATTENTION:

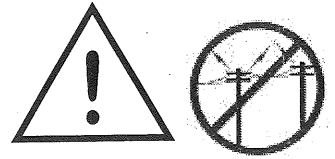
This shelter product is manufactured with quality materials. It is designed to fit our custom fabric cover included. Our shelters offer storage and protection from damage caused by sun, light rain, tree sap, animal - bird excrement and light snow. Please anchor this structure properly. See manual for more anchoring details. Proper anchoring, keeping cover tight and free of snow and debris is the responsibility of the consumer. Please read and understand the installation detail, warnings and cautions prior to beginning installation. If you have any questions contact your local dealer.

DANGER:

Prior to installation, choose the location of your shelter carefully. _

DANGER: Keep away from electrical wires.

Check for overhead utility lines, tree branches or other structures. Check for underground pipes or wires before you dig. DO NOT install near roof lines or other structures that could shed snow, ice or excessive run off onto your shelter. DO NOT hang objects from the roof or support cables.



WARNING:

Risk of fire. DO NOT smoke or use open flame devices (including grills, fire pits, deep fryers, smokers or lanterns) in or around the shelter. DO NOT store flammable liquids (gasoline, kerosene, propane, etc.) in or around your shelter. Do not expose top or sides of the shelter to open fire or other flame source.

CAUTION:

Use CAUTION when erecting the frame. Use safety goggles during installation. Secure and bolt together overhead poles during assembly. Beware of pole ends.

PROPER ANCHORING AND INSTALLATION OF FRAME:

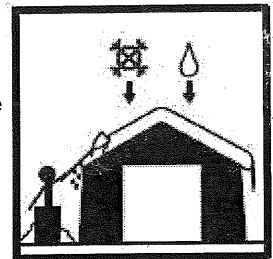
PROPER ANCHORING OF THE FRAME IS THE RESPONSIBILITY OF THE CONSUMER.

We are not responsible for damage to the unit or the contents from acts of nature. Any shelter that is not anchored securely has the potential to fly away causing damage, and is not covered under the warranty. Periodically check the anchors to ensure stability of shelter. We cannot be responsible for any shelter that blows away. _

NOTE: *Your shelter's cover can be quickly removed and stored prior to severe weather conditions.* If strong winds or severe weather is forecast in your area, we recommend removal of cover.

CARE AND CLEANING:

A tight cover ensures longer life and performance. Always maintain a tight cover. Loose fabric can accelerate deterioration of cover fabric. Immediately remove any accumulated snow or ice from the roof structure with a broom, mop or other soft-sided instrument. Use extreme caution when removing snow from cover- always remove from outside the structure. DO NOT use hard-edged tools or instruments like rakes or shovels to remove snow. This could result in punctures to the cover. DO NOT use bleach or harsh abrasive products to clean the fabric cover. Cover is easily cleaned with mild soap and water.




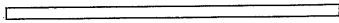
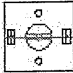
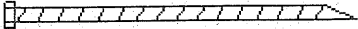





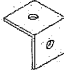



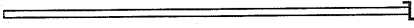
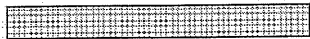
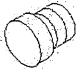
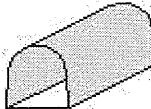
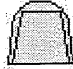

WARRANTY:

This shelter carries a full limited warranty against defects in workmanship. We warrant to the Original Purchaser that if properly used and installed, the product and all associated parts, are free from manufacturer's defects for a period of:

1 YEAR FOR COVER FABRIC, END PANELS AND FRAMEWORK

Boat Tent W4.3xL10.0xH4.3m Parts List

Part Code	Description of Parts	Qty (PC)
1	Roof Bent Joist	6
2	Sidewall Bent Joist for arch No.1 (left)	1
3	Sidewall Bent Joist for arch No.1 (right)	1
4	Sidewall Bent Joist for arch No.2 to No.5 (left)	5
5	Sidewall Bent Joist for arch No.2 to No.5 (right)	5
6	Roof Bracing Tube	5
7	Upright for arch No.1 to No.5	10
8	Upright for arch No.6	2
9	Purlin	25
10	Sidewall Bracing Tube	4
11	Base Plate for arch No.1 (left & right)	2
11A	Base Plate for arch No.6	2
12	Base Plate for arch No.2 to No.5	8
13	Lower Tensioning Tube, (5+1) pcs/set	2 sets
14	Door Bracing Tube, (1+1) pcs/set	1 set
15	Lower Portal for back end	1
16	Upper Portal for back end	1

17	Rail for back end		2
18	Rail for back end		2
19	Base Plate for back end		1
20	Stake Peg		30
21	Tube Clip for sidewall bracing tube No.10		8
22	Bolt M8x70 for swaged tube		76
23	Carriage Bolt M10x80 for purlin and rail		41
24	Bolt M10x30 for connection plate		3
25	Self-drilling bolt and a hex socket for door bracing tube No.14		4
26	Angle Bracket		1
27	Rope for front door, 2 bundles		1 pack
28	Rope for roof cover, front cover and back cover, 5 bundles		1 pack
29	Cable Tie for front and back cover		80
30	Rod for Pulling Front Door		1
31	Belt for ratchet on base plate		12
32	End Plug for lower tensioning tube No.13		10
33	Roof Cover		1
34	Front Cover (with opening)		1
35	Back Cover		1

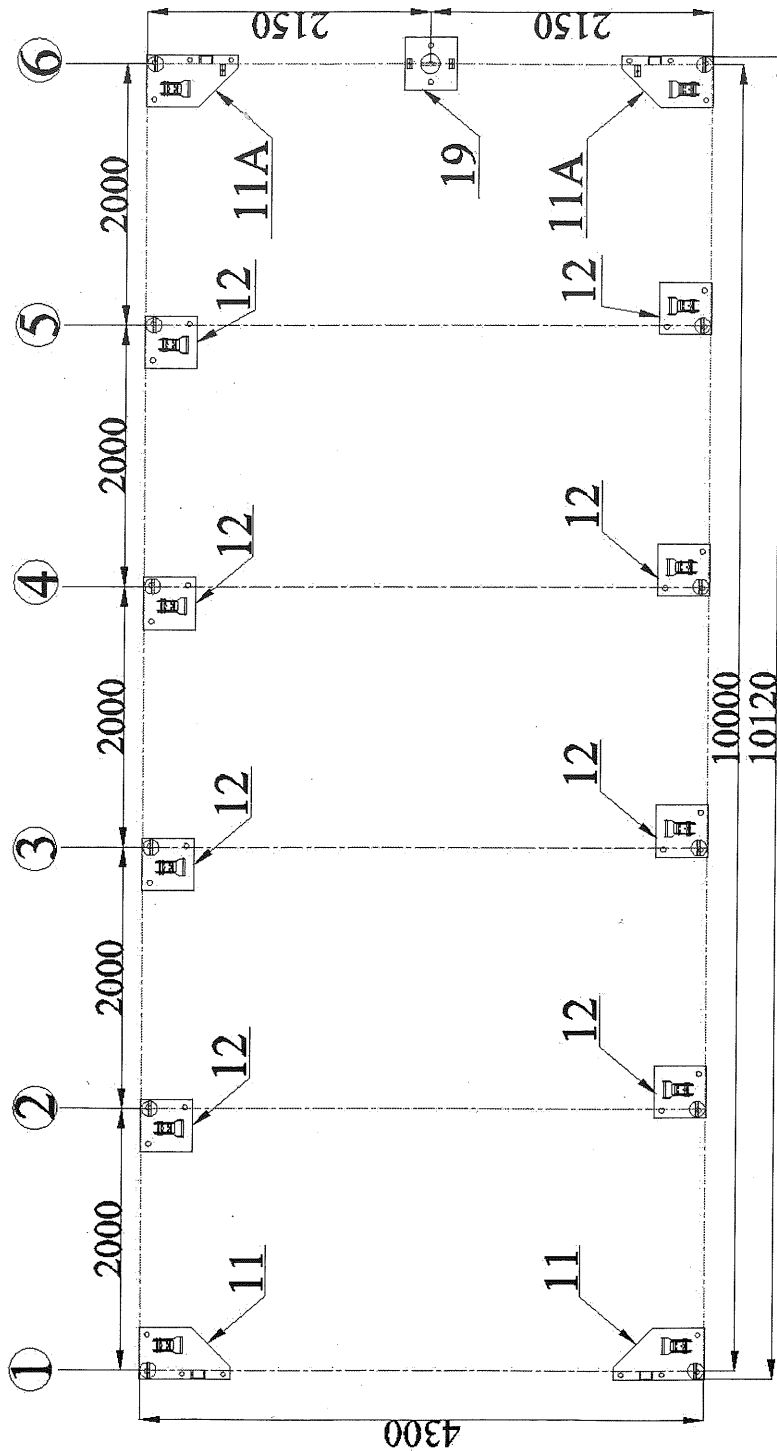
INSTALLATION PROCESS

A—BASE PLATES INSTALLATION

Please refer to the below diagram to mark the position of base plate.

The measurement is from center to center of base plates. Referring to the diagram and confirm the place of base plates. ENSURE THAT THE FOUNDATION IS SQUARE.

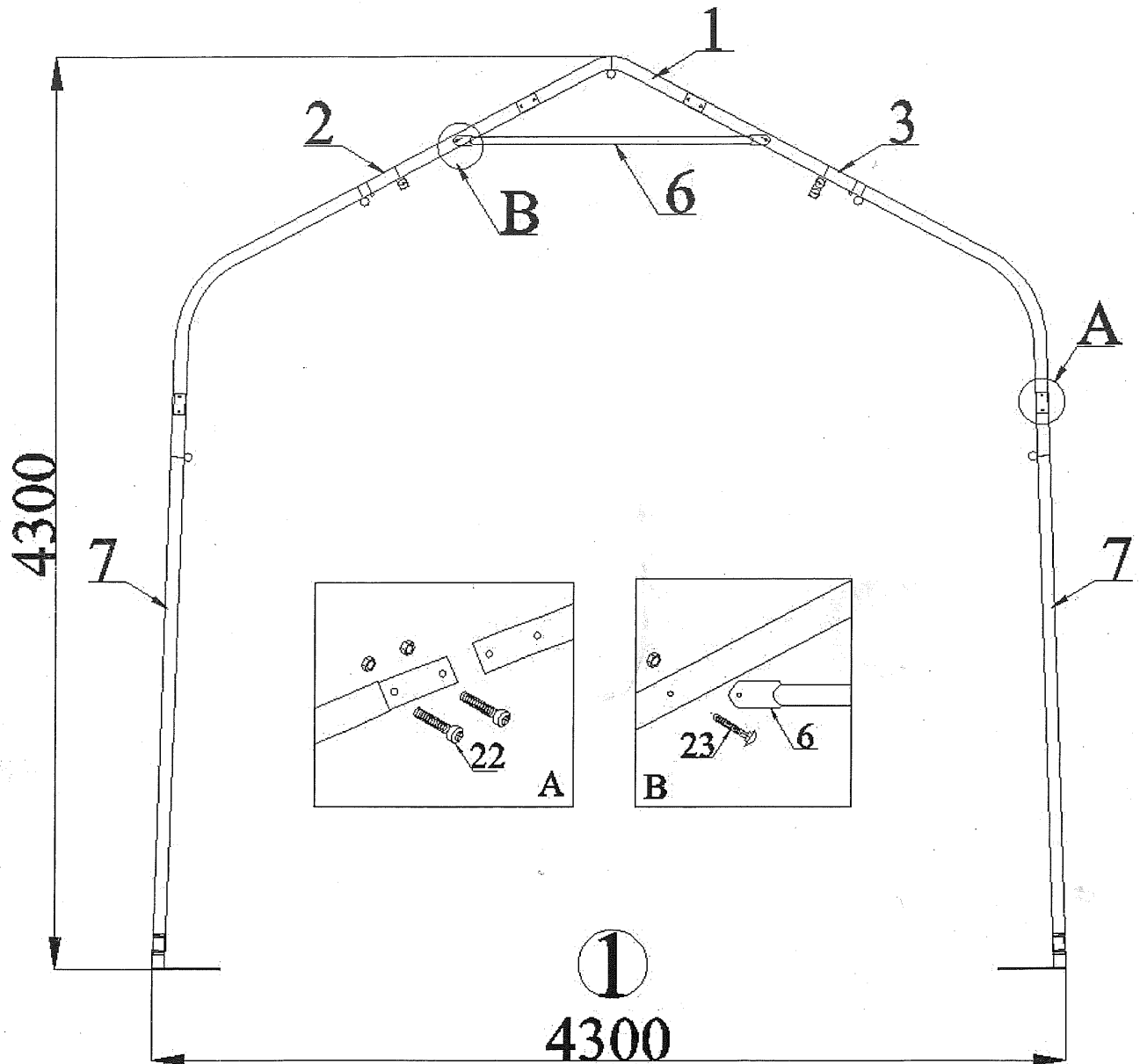
Note: The Stake Peg (No.20) applies for fixing base plate on grass land and earth ground.



B—FRAME INSTALLATION

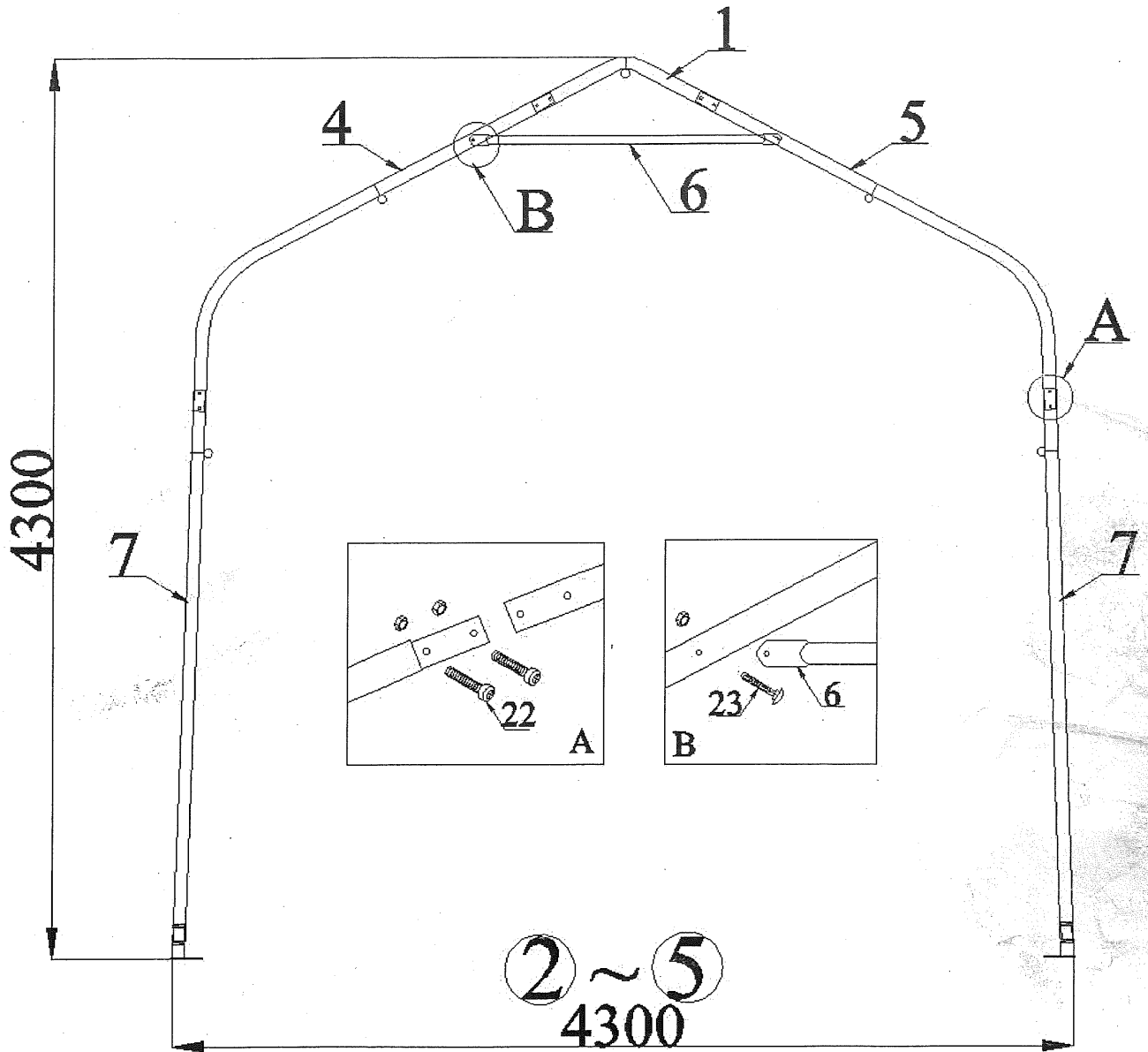
Arch No.1 and Roof Bracing Tube

1. Find Joist (No.1,2,3) and Upright (No.7) for arch No.1 and connect them by Bolt M8x70 (No.22).
2. Find Roof Bracing Tube (No.6) and connect it by Carriage Bolt M10x80 (No.23).



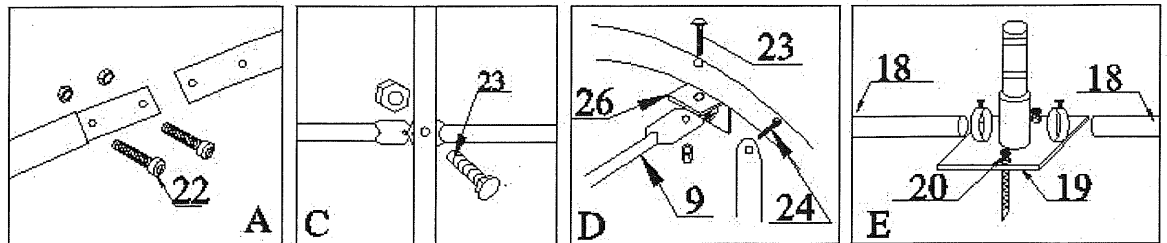
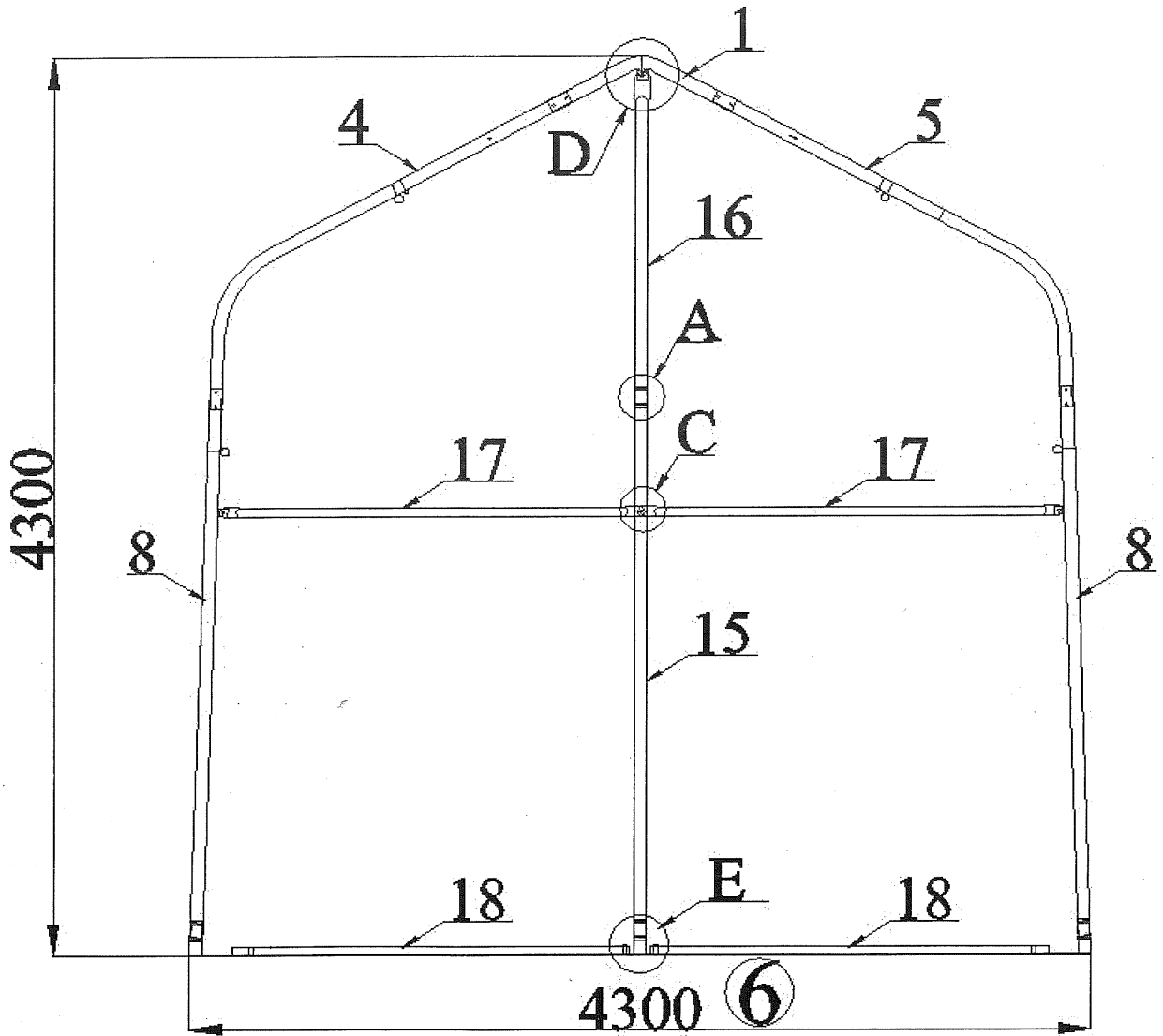
Arch No.2 to No.5 and Roof Bracing Tube

1. Find Joist (No.1,4,5) and Upright (No.7) for arch No.2 to No.5 and connect them by Bolt M8x70 (No.22).
2. Find Roof Bracing Tube (No.6) and connect it by Carriage Bolt M10x80 (No.23).



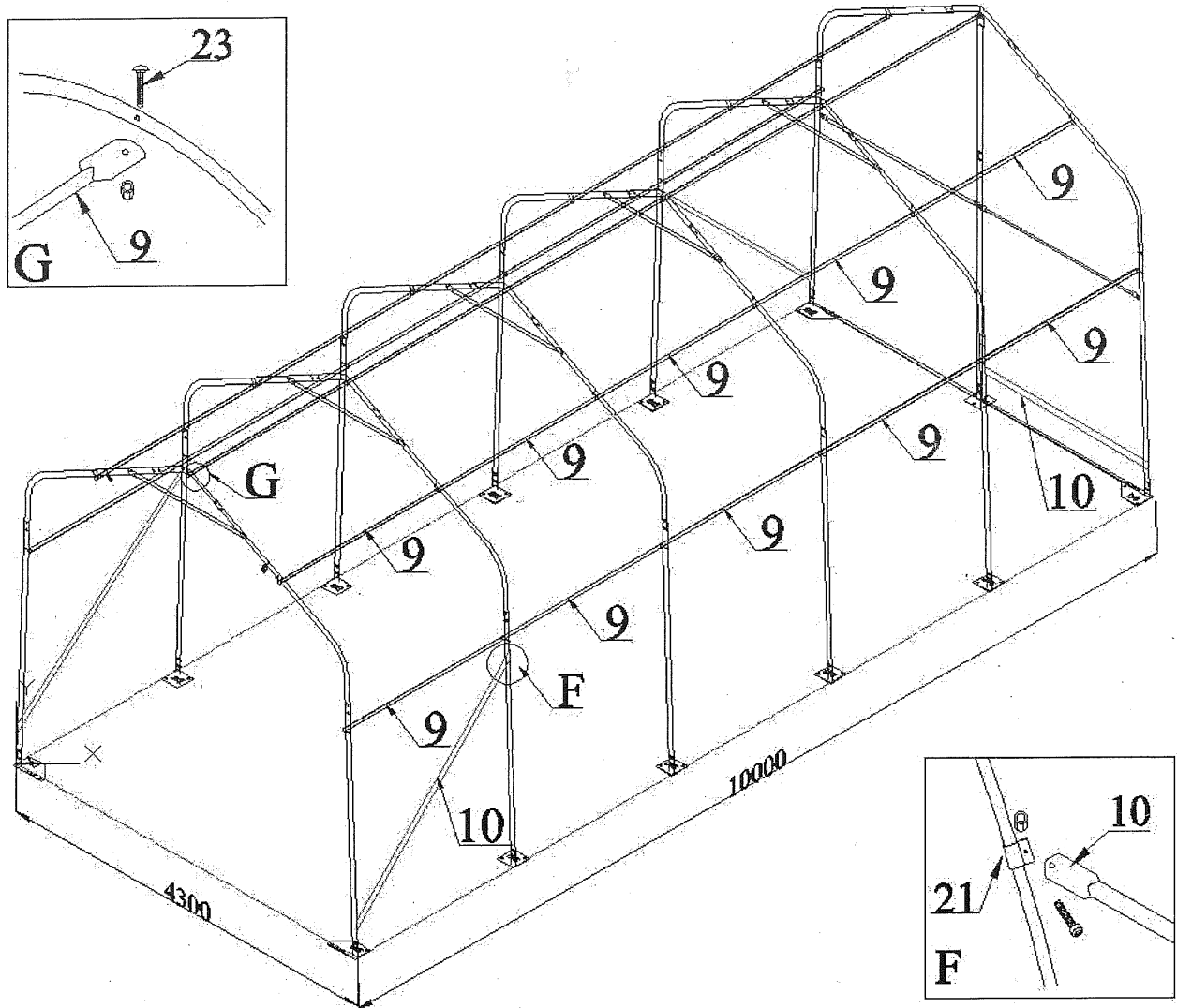
Arch No.6 and Back End

1. Find Joist (No.1,4,5) and Upright (No.8) for arch No.6 and connect them by Bolt M8x70 (No.22).
2. Find relative parts of posts and rails for back end and assemble them according to the below diagram.



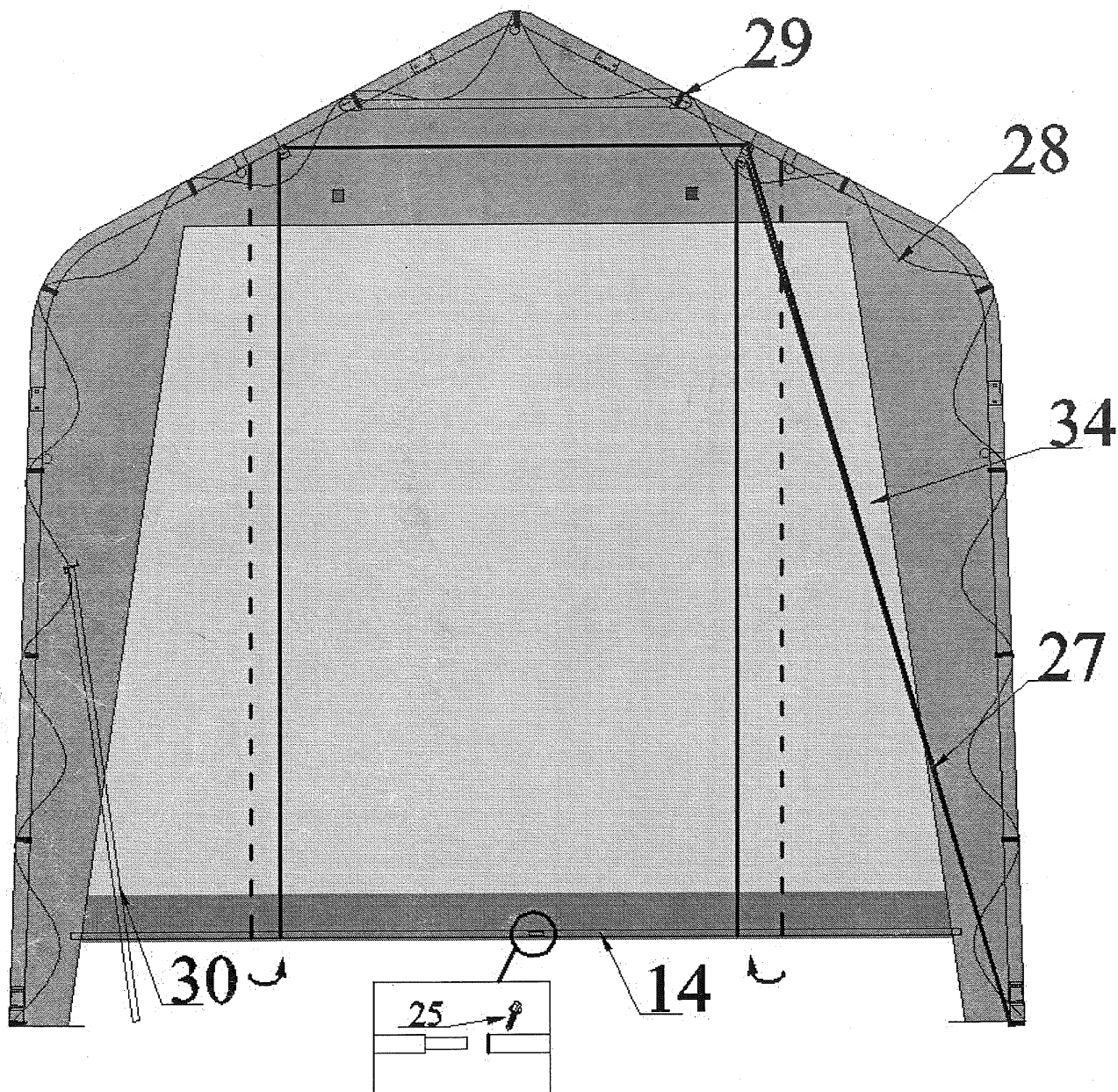
Purlin and Sidewall Bracing Tube Installation

1. Lift the assembled arches onto base plates (No.11, 11A, 12) and connect them by Bolt M8x70 (No.22).
2. When finish installing arch No.1 and No.2, install purlin (No.9) and connect them by Carriage Bolt M10x80 (No.23). Then the third arch and purlins. In this turn, one arch and then purlin tubes until the sixth arch.
3. Install Sidewall Bracing Tube (No.10) between arches by Tube Clip (No.21).

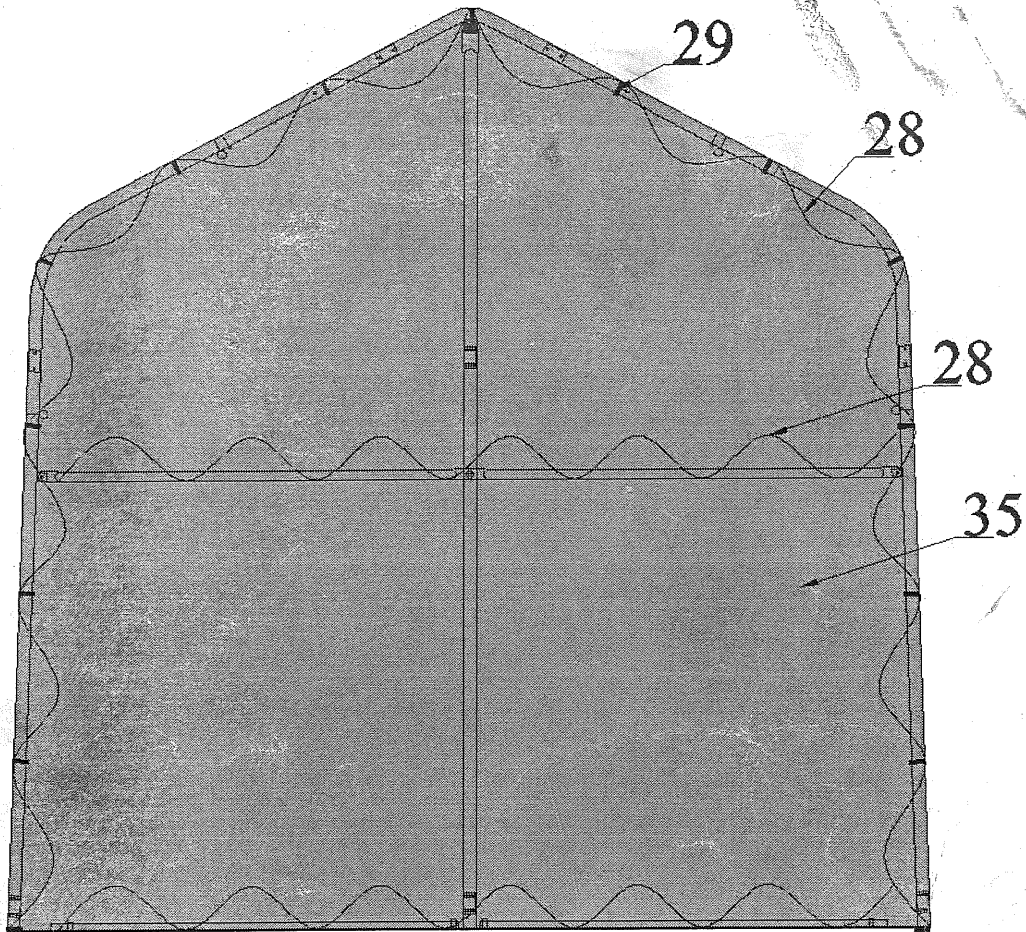


C-INSTALLING COVER

Front Cover and Front Door Installation



Back Cover Installation



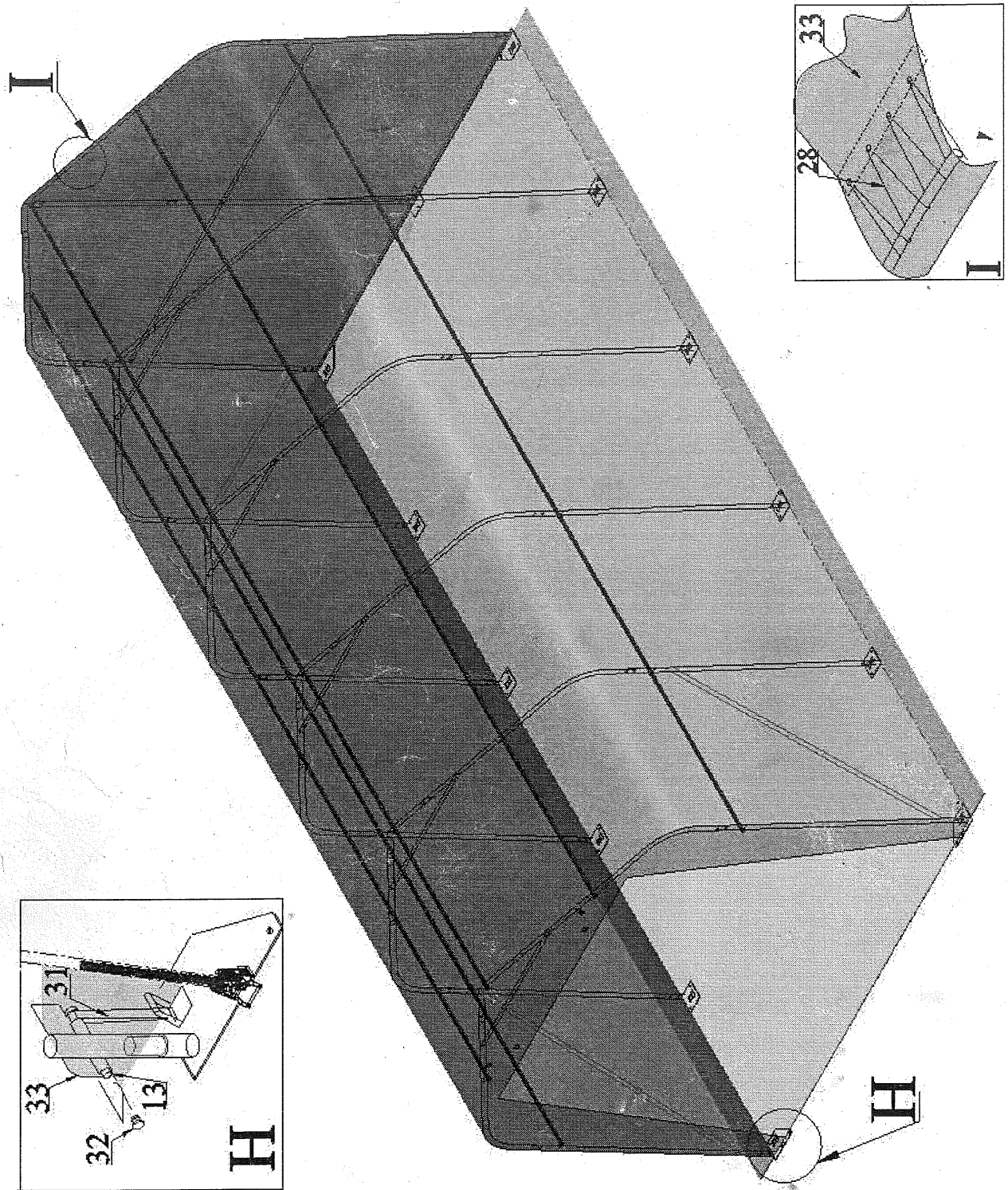
Roof Cover Installation

NOTE: DO NOT install the cover onto the frame of your building in high wind conditions. A slight breeze is the most advantageous for cover installation. To take advantage of the breeze, pull the cover up over the arches with the breeze blowing in the cover like a sail filled with air.

1. Roll out the roof cover on a ground sheet. Align the cover evenly to each end of the frame. Be sure doing not over pull the end of roof cover.
2. Pull the roof cover over frame **EVENLY, CAREFULLY AND SLOWLY**. Insert tensioning tube (No.13) into the pipe pockets. Cut a small opening over against every base plate. Put the belt (No.31) around tensioning tube and go through ratchet on base plate and loosely secure. **DO NOT TIGHTEN**. Adjust the cover so that it is square and evenly centered on the frame.

Note: The end flaps must overhang evenly at both ends.

3. Use Rope (No.28) to tighten roof cover to end arches.
4. When roof cover is tidy and ready, drive the ratchet tie down forth and back and then roof cover is tightened in the vertical direction.
5. Tidy the cover. Pull the strap inside the end of roof cover, make the cover well fold to end arches and fasten the strap with ratchet.



Now your assembly is completed.