

®

# ASSEMBLY MANUAL

## Model No.: 99005



Tools required for assembly (not included)



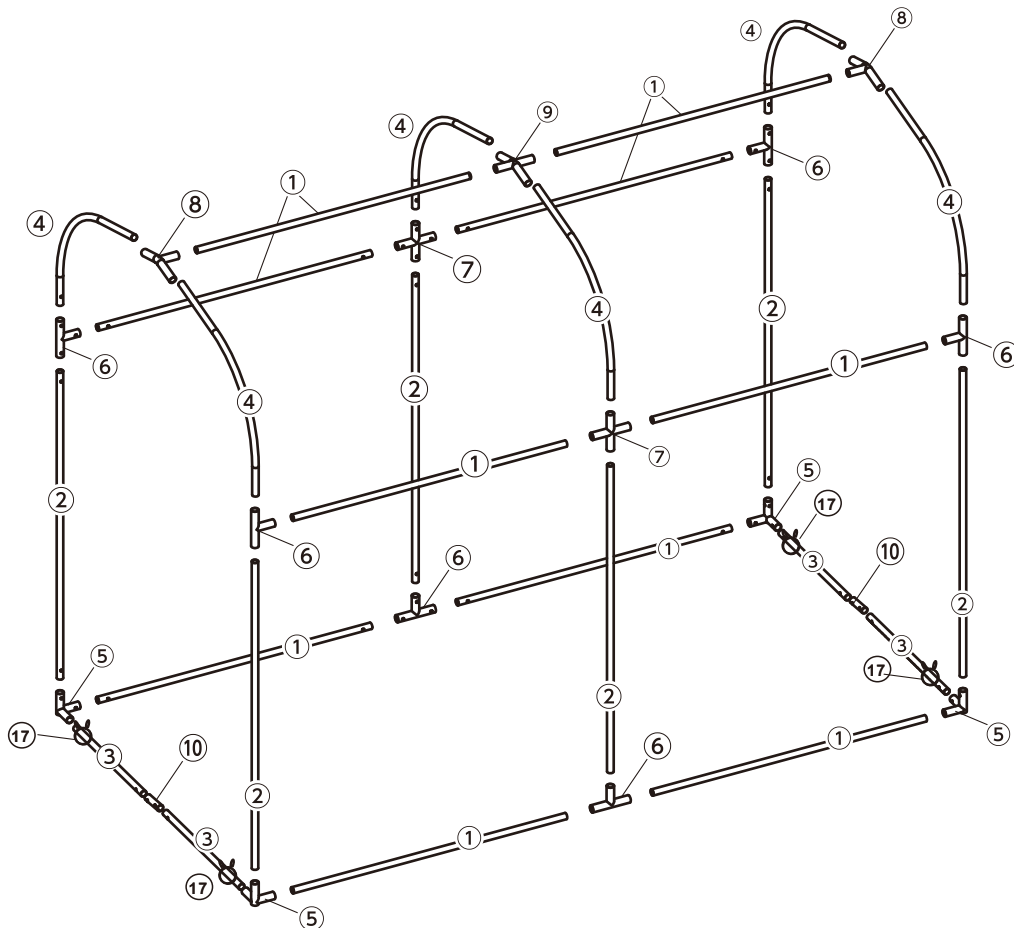
Part#	Description	Drawing	Qty.
1	Cross Rail		10
2	Upright Post		6
3	Door Cross Rail		4
4	Bent Tube		6
5	CORNER BOTTOM BASE		4
6	MEDIUM BOTTOM BASE		6
7	4-Way side connectors		2
8	3-Way Top Connectors		2
9	4-Way Top Connectors		1
10	Connector Tube		2
11	Front Door Panel		1
12	Back Panel		1
13	Main Cover		1
14	Anchor A		4
15	Ball Tie Down(short)		30
16	Ball Tie Down(long)		20
17	Couple		4
18	M6x30 Bolt		4
19	M6 Nut		4



**WARNING!**

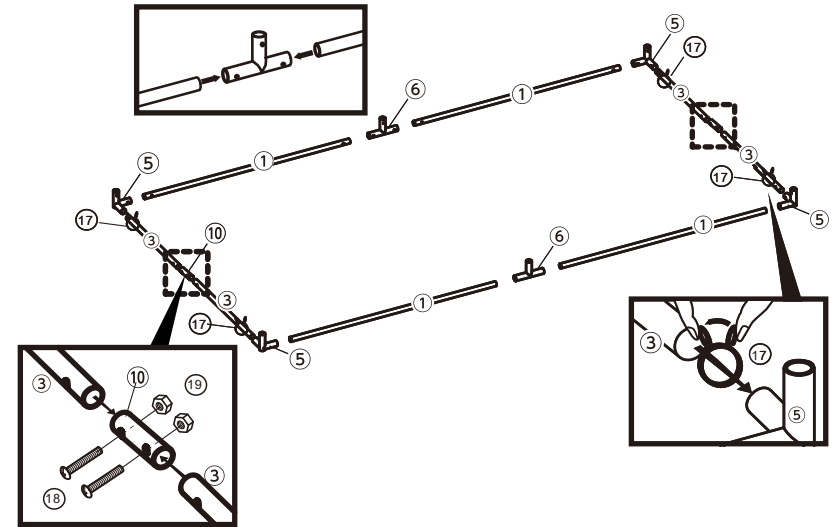
- Do not leave the shed unattended during assembly. Otherwise, personal injury or damage to the shed may occur!

Frame assembly overview

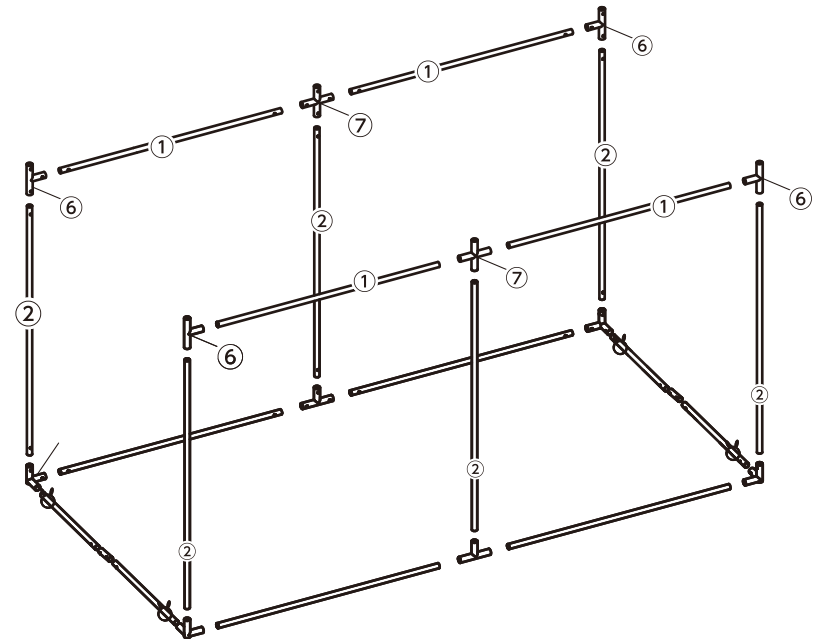


1 Follow below diagram, assembly the basement structure first.

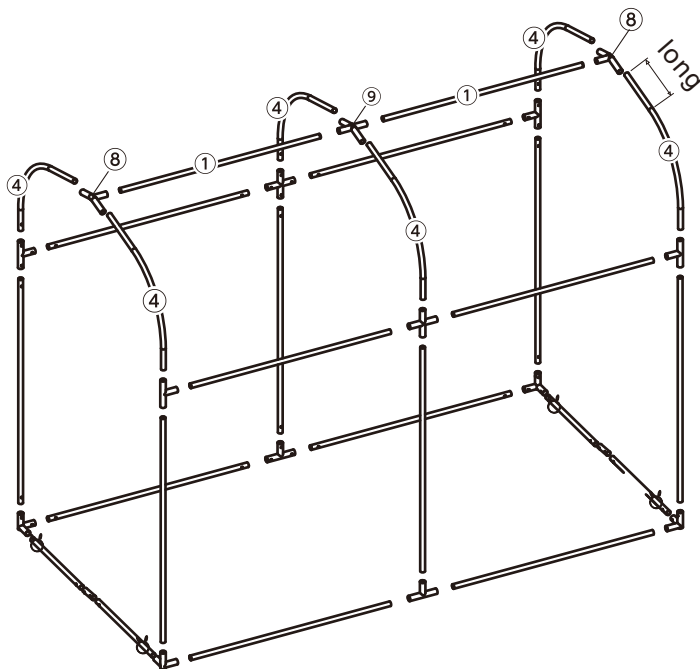
Note: please fix part #17 on one end of tube #3 first.



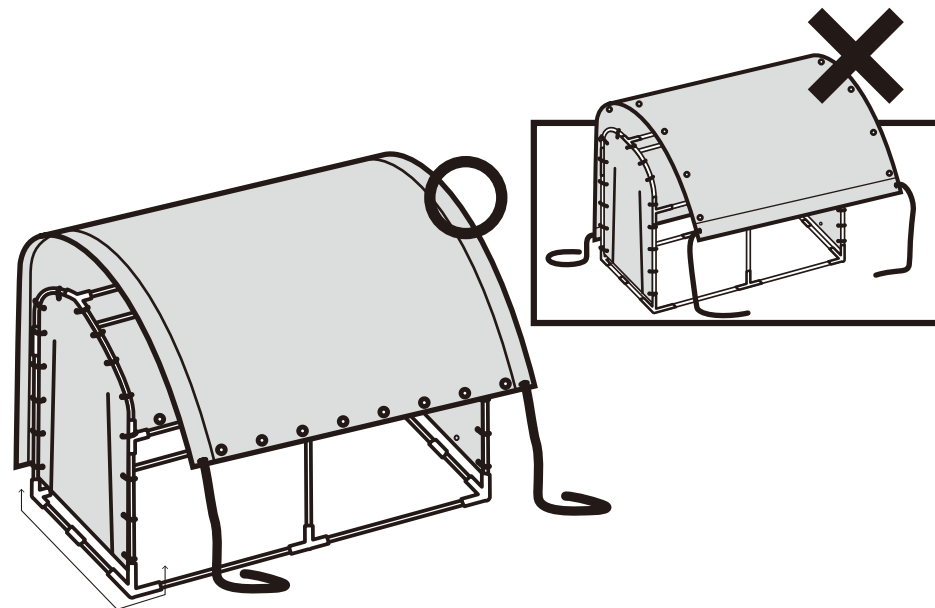
2 Assembly legs and shoulders now.



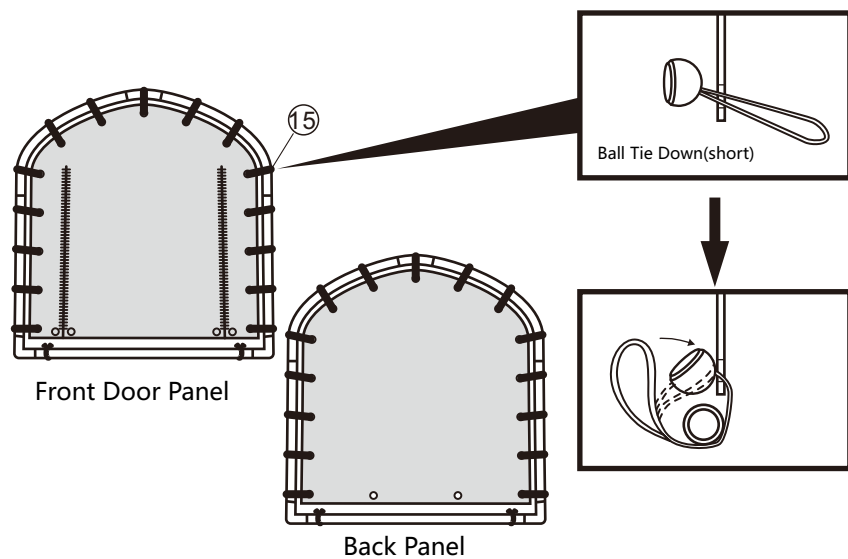
- 3** Assembly the roof.  
Note : The "long" side of tube #4 is on the top of the roof.



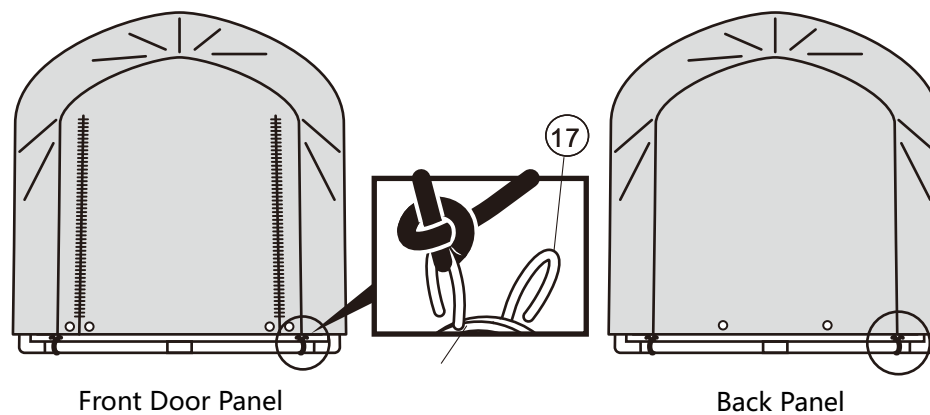
- 5** Following below diagram to attach the roof cover. Please pay attention to the cover direction, the eyelets are on the two sides of the shed.



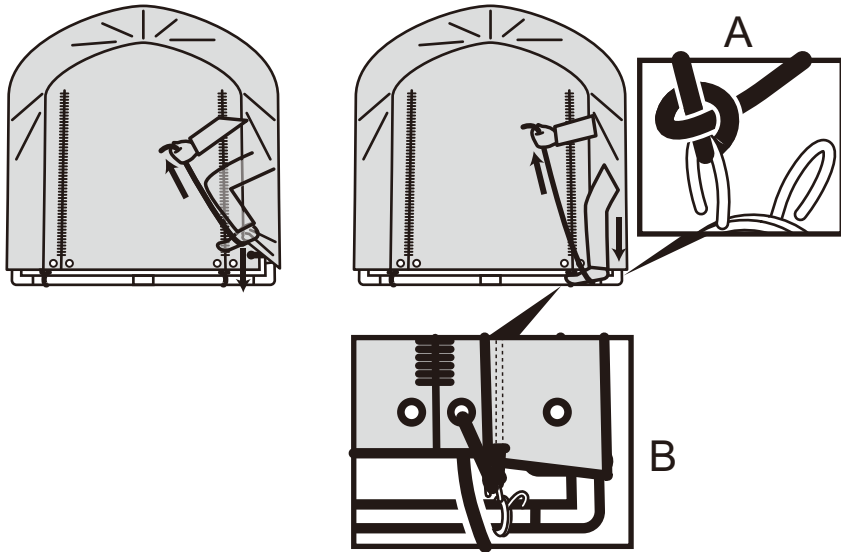
- 4** Attach the door panels on the frame by the short Bungees (#15).



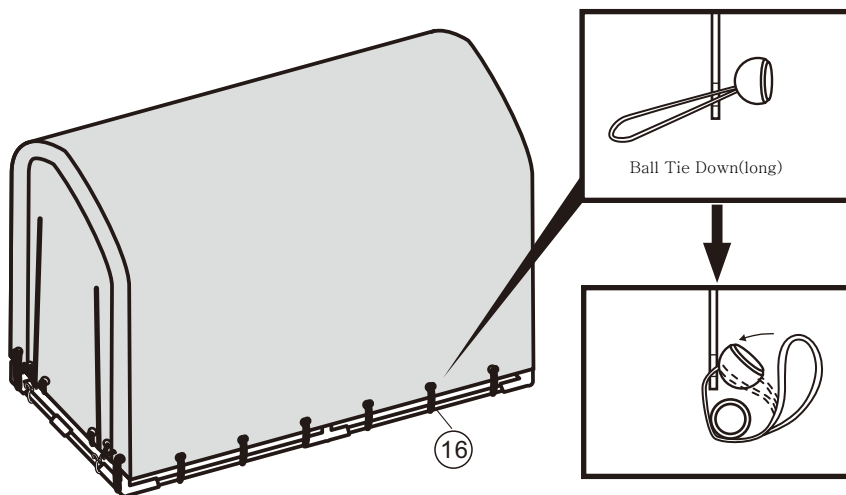
- 6** Tie one side of the roof cover rope ends on parts #17.



- 7 Tie the other side of the roof cover rope end on parts #17 also (drawing A), and then through the door panel eyelet and tight again(drawing B).



- 8 Attach the main cover on the frame by the long Bungees (#16).



- 9 Anchor Assembly

Use Anchor A(#14) fix the two side beams on the ground.  
Each side 2 anchors.

